

Vegetable Slicer

TR260 Vegetable Slicer - 1 Speed - lever hopper on stand with 4 discs

ITEM # _____

MODEL # _____

NAME # _____

SIS # _____

AIA # _____


603277 (TR260FLIVS)

Vegetable slicer, flat panel, 1 speed on stand and 4 discs-220-240/1/50

Short Form Specification

Item No. _____

Universal vegetable slicer to serve 300 up to 1000 settings for table service and up to 4000 settings for catering service. 1 speed (330 rpm). 15000W self-braking motor. Stainless steel motor housing and aluminium basement. "No volt release" safety device. Touch button control panel with on/off and pulse function. Cutting disc diam. 300mm. Supplied with lever-operated hopper and mobile stainless steel support that incorporates a disc storage rack with 4 discs (2 slicing discs 2-3mm and 2 grating discs 2-3mm). The touch button control panel has IP65 protection with low voltage level.

Main Features

- Continuous feed model.
- Large round (long vegetable) and large half moon feed hoppers.
- "No volt release" safety device.
- Delivered with lever operated hopper and a mobile stainless steel support that incorporates a disc storage rack with 4 discs (2 slicing discs 2-3mm and 2 grating discs 2-3mm)
- Complete selection of blades and dicing grids available (diameter 300 mm).
- Magnetic safety system and motor brake. Prevents machine from running when lever swings away or is open.
- Vegetable slicer with slicing, grating, shredding (julienne) as well as dicing and French fries cutting capability.
- Available as option a long vegetable accessory to fit in the lever operated hopper converting it into a long vegetable hopper (3 cylindrical hoppers: 50, 59,5, 70 mm diameter)
- Available upon request: Automatic cylindrical hopper (dia=280 mm), long vegetable hopper (3 tubes) and cabbage hopper.

Construction

- 1 speed: 330 rpm
- Power: 1500 watts.
- Stainless steel motor housing with aluminum basement and hoppers.

Included Accessories

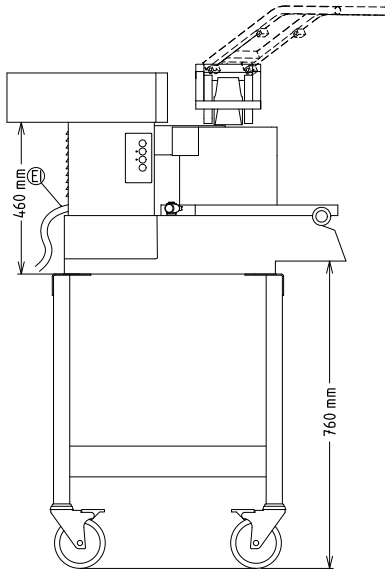
- 1 of Feed tray to be combined with cabbage hopper and long vegetable hopper PNC 650036
- 1 of Stainless steel grating disc 2 mm (dia. 300 mm) PNC 650150
- 1 of Stainless steel grating disc 3 mm (dia. 300 mm) PNC 650151
- 1 of Stainless steel mobile stand with 4 wheels (2 fixed and 2 pivoting with brake). Height: 730 mm PNC 653017
- 1 of Lever-operated hopper for TR260 (including feed tray) PNC 653036
- 1 of Slicing disc 2 mm (dia. 300 mm) PNC 653172
- 1 of Slicing disc 3 mm (dia. 300 mm) PNC 653173
- 1 of Stainless steel disc rack for 300 dia. discs PNC 653212

APPROVAL: _____

Vegetable Slicer

TR260 Vegetable Slicer - 1 Speed - lever hopper on stand with 4 discs

Front



Electric

Supply voltage:	220-240 V/1N ph/50 Hz
Electrical power, max:	1.5 kW
Total Watts:	1.5 kW

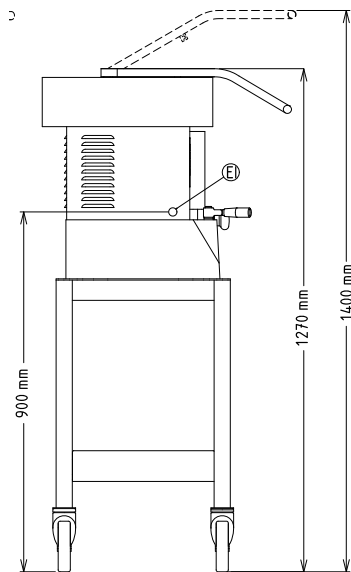
Capacity:

Performance (up to):	700 kg/hour
----------------------	-------------

Key Information:

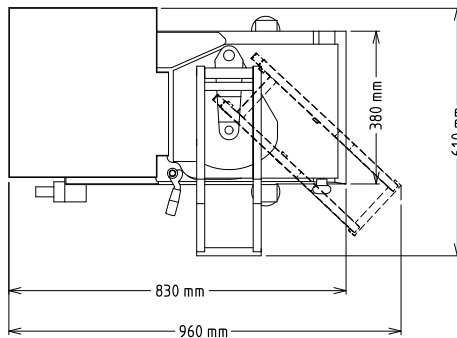
External dimensions, Width:	610 mm
External dimensions, Depth:	830 mm
External dimensions, Height:	1400 mm

Side



EI = Electrical inlet (power)

Top



Vegetable Slicer
 TR260 Vegetable Slicer - 1 Speed - lever hopper on stand with 4 discs

The company reserves the right to make modifications to the products without prior notice. All information correct at time of printing.

2025.07.24

Included Accessories

- 1 of Feed tray to be combined with cabbage hopper and long vegetable hopper PNC 650036
- 1 of Stainless steel grating disc 2 mm (dia. 300 mm) PNC 650150
- 1 of Stainless steel grating disc 3 mm (dia. 300 mm) PNC 650151
- 1 of Stainless steel mobile stand with 4 wheels (2 fixed and 2 pivoting with brake). Height: 730 mm PNC 653017
- 1 of Lever-operated hopper for TR260 (including feed tray) PNC 653036
- 1 of Slicing disc 2 mm (dia. 300 mm) PNC 653172
- 1 of Slicing disc 3 mm (dia. 300 mm) PNC 653173
- 1 of Stainless steel disc rack for 300 dia. discs PNC 653212